

Harvard MP II

Mini-Peristaltic Pump

User's Manual

MP II Mini-Peristaltic Pump MA1 70-2027



Table of Contents

SUBJECT	PAGE NO.
General Information - Warranty and Repairs.....	2
Specifications.....	3
Operating Instructions.....	4-6
How to Load the Tubing.....	7-8
Other Information.....	8

General Information

 - No User Serviceable Parts Inside

Serial Numbers

All inquires concerning our product should refer to the serial number of the unit. The Serial number is located on the side of the chassis.

Calibrations

This product does not require calibration.

Warranty

Harvard Apparatus warranties this instrument for a period of two years from date of purchase. At its option, Harvard Apparatus will repair or replace the unit if it is found to be defective as to workmanship or material.

This warranty does not extend to damage resulting from misuse, neglect or abuse, normal wear and tear, or accident.

This warranty extends only to the original customer purchaser.

IN NO EVENT SHALL HARVARD APPARATUS BE LIABLE FOR INCIDENTAL OR CONSEQUENTIAL DAMAGES. Some states do not allow exclusion or limitation of incidental or consequential damages so the above limitation or exclusion may not apply to you. **THERE ARE NO IMPLIED WARRANTIES OF MERCHANTABILITY, OR FITNESS FOR A PARTICULAR USE, OR OF ANY OTHER NATURE.** Some states do not allow this limitation on an implied warranty, so the above limitation may not apply to you.

If a defect arises within the two-year warranty period, promptly contact Harvard Apparatus, Inc. 84 October Hill Road, Holliston, Massachusetts 01746-1388 using our U.S. only toll free number 1-800-272-2775 or dial (508) 893-8999. Goods will not be accepted for return unless an RMA (returned materials authorization) number has been issued by our customer service department. The customer is responsible for shipping charges. Please allow a reasonable period of time for completion of repairs, replacement and return. If the unit is replaced, the replacement unit is covered only for the remainder of the original warranty period dating from the purchase of the original device.

This warranty gives you specific rights, and you may also have other rights which vary from state to state.

Repair Facilities and Parts

Harvard Apparatus stocks replacement and repair parts. When ordering, please describe parts as completely as possible, preferably using our part numbers. If practical, enclose a sample or drawing. We offer a complete reconditioning service.

CAUTION

This pump is not registered with the FDA and is not for clinical use on human patients.

CAUTION
NOT FOR CLINICAL USE
ON HUMAN PATIENTS

Specifications

Specifications

Output Pressure	Minimum 20 p.s.i. (1.38 bars)
Power watts	115/230 VAC, 50/60 Hz, universal power supply, 10
Power Supply	12 VDC 1.5 A 2.5 mm connector, with detachable IEC 320 line cord with ground.
Weight	0.96 kg (2.1 lb)
Tubing ID	1/16 inch
Flow Rates	0.8 to 12.25 ml/min per tube

Catalog No.

Product

70-2027

Harvard MP II: Mini-Peristaltic Pump with universal power supply

55-4148

Pump Head Tubing Pieces. These silicone pump head tubing pieces have connectors on each end for 1/16 in ID tubing, pkg. of 10

Operating Instructions

Description

The Harvard MPII Mini-Peristaltic pump takes only one size of tubing, 1.6 mm ID x 3.2 mm OD (1/16 x 1/8 in). It can be used with either a single tube or two tubes simultaneously.

Two front panel controls provide flow rates from approximately 0.8 to 12.25 ml/min. The control knob provides variable adjustment from 0 to 100% of the selected flow rate range. The second control is a two position toggle switch marked x1, x2 which selects low or high flow rates, see table to right.

The easy-loading four-roller pump head is on top of the stout metal box. The back of the pump head effortlessly rotates into an 'open' position and either one or two tubes can be dropped into slots. The loaded section simply rotates back against spring loaded jaws and locks into place. The tubing is automatically in proper wiping contact with the pump head rollers. Each Pump is provided with a 12.5 mm (0.5 in) rod clamp on the back so that multiple pumps can be mounted vertically on a lattice rod.

Location Requirements for the MP II Mini-Peristaltic Pump

- A Sturdy, level, clean and dry surface
- Minimum of one inch (2 cm) clearance around the pump
- Adequate power supply
- Room temperature 4°C to 40°C (40°F to 104°F)
- Relative humidity 20% to 80%
- A well ventilated room

Power Requirements

The MP II Mini Peristaltic Pump requires 12 VDC at 800 mA. The power receptacle has a 2.5 mm center pin, which is the positive polarity. One (1) universal power supply is provided for 120/230 VAC operation. Plug the output connector into the rear receptacle of the Mini Peristaltic pump. The universal power transformer automatically adjusts the supply voltage. The North American plug can be replaced with a similar power cord with an IEC 320 plug. Observe the color coding of the international line cord.

- Brown - High
- Blue - Neutral
- Green - Ground (earth)

Tubing

The pump is designed for silicone rubber tubing 1/16 inch I.D. x 1/8 inch O.D. only. The pump is supplied with two short lengths of tubing with end connectors fitted. If other tubing materials are used, please verify pump flow rates. Excessively hard tubing may overload the pump motor and cause it to 'stall'.

Operating Instructions (Contd)

Loading the Pump

A hinged black plastic compression clamp holds the tubing against the rollers. Release the clamp by pushing it and rotating it away from the rollers. Insert one or two tube segments and close the clamp tightly until it snaps into position. See page 6 for more detailed instructions and diagrams.

Setting the Direction

A toggle switch has been provided for clockwise or counter clockwise rotation.

Adjusting the Flow Rate

Use the speed range switch x1, x2, and the main speed knob to adjust flow rate.

Flow Rate per tube, ml/min.

(Below values are for a single tube. Using two tubes in parallel will double the flow rate. Values are approximate.)

MP11 Flow Rates in ml/min				
Switch Setting	With One Tube		With Two Tubes	
	Min.	Max.	Min.	Max.
x1	0.8 ml/min	7.00 ml/min	1.6 ml/min	14.00 ml/min
x2	1.5 ml/min	12.25 ml/min	3.0 ml/min	24.50 ml/min

Use a stop watch and measured container to precisely determine the actual flow rate.

Operating Instructions (Contd)

6

Harvard Apparatus MP II Mini-Peristaltic Pump

Maintenance

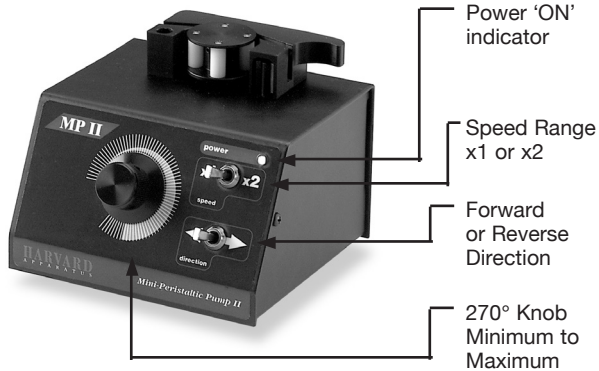
No special maintenance is required other than keeping the pump clean and dry. The pump has a cooling fan. Air enters the pump at the bottom and exits through the top rear. It is important that the air flow not be obstructed. During normal operation, the pump may get warm from the precision stepper motor. This condition is normal.

Output Pressure

The pump will deliver minimum of 20 p.s.i. As with other peristaltic pumps, an increase in fluid back pressure will cause the flow to decrease slightly.

Power Switch

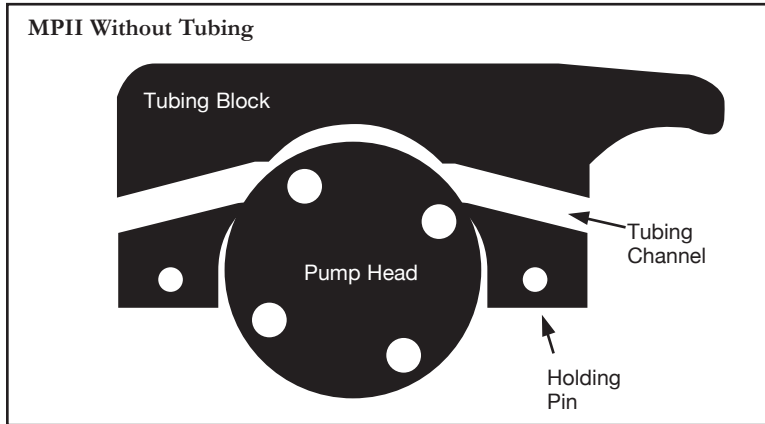
The power switch is located on the rear of the pump.



How to Load the Tubing

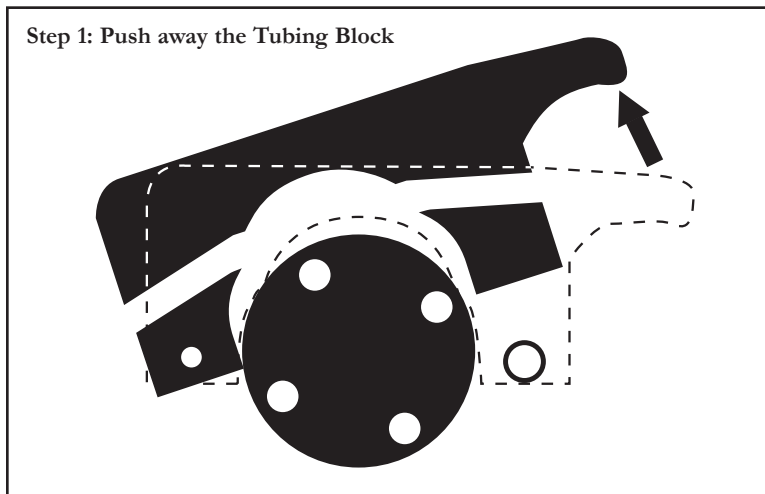
MPII without Tubing:

The Mini Peristaltic pump is sold with one set of tubing segment. To load the tubing, follow these simple instructions.



Step 1: Open Mechanism

With your thumb or finger, push the tubing block away from the holding pin. Make sure you have enough clearance from the pump head to insert the tubing without obstruction.

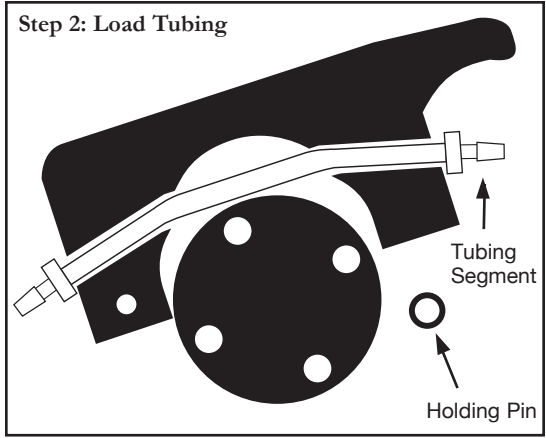


How to Load the Tubing (Contd)

Step 2:

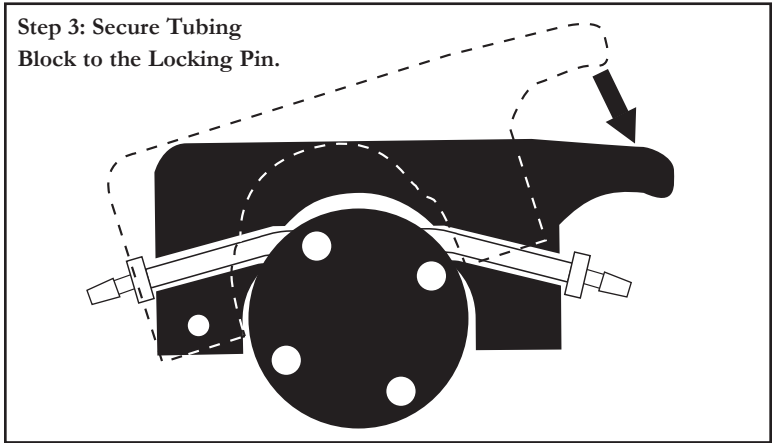
Load the Tubing

Insert one or two tubing segments into the tubing channel. A maximum of two tubes can be used.



Step 3: Secure Mechanism

By using your thumb or finger, bring the tubing block to its original position. The tubing is now properly inserted and has the proper built in tolerance.



Other Information

Fuse - There is no user fuse used in this unit.

Rod Clamp - A pole clamp has been provided for mounting onto a laboratory lattice rod.

U.S.A.

Harvard Apparatus

84 October Hill Road
Holliston, Massachusetts 01746, USA
Phone (508) 893-8999
Toll Free (800) 272-2775
Fax (508) 429-5732
E-mail bioscience@harvardapparatus.com
Web www.harvardapparatus.com

Warner Instruments, Inc.

1125 Dixwell Avenue
Hamden, Connecticut 06514, USA
Phone (203) 776-0664
Toll Free (800) 599-4203
Fax (203) 776-1278
E-mail sales@warneronline.com
Web www.warneronline.com

Coulbourn Instruments

5583 Roosevelt Street
Whitehall, Pennsylvania 18052, USA
Phone (610) 395.3771
Toll Free (800) 424-3771
Fax (610) 391-1333
E-mail sales@coulbourn.com
Web www.coulbourn.com

Canada

Harvard Apparatus, Canada

6010 Vanden Abeele Street
Saint Laurent, Quebec, H4S 1R9, Canada
Phone (514) 335-0792
Toll Free (800) 361-1905
Fax (514) 335-3482
Toll Free (800) 335-0792
E-mail sales@harvardapparatus.ca
Web www.harvardapparatus.ca

France

Harvard Apparatus, S.A.R.L.

6 Avenue des Andes
Miniparc – Bat. 8
F-91952, Les Ulis Cedex, France
Phone (33) 1-64-46-00-85
Fax (33) 1-64-46-94-38
E-mail info@harvardapparatus.fr
Web www.harvardapparatus.fr

Germany

Hugo Sachs Elektronik

Harvard Apparatus GmbH
Grünenstrasse 1
D-79232, March - Hugstetten, Germany
Phone +49 (0)7665 92000
Fax +49 (0)7665 920090
E-mail info@hugo-sachs.de
Web www.hugo-sachs.de

Spain

Panlab, S.L.U.

Harvard Apparatus Spain
C/Energia, 112
08940 Cornellà, Barcelona, Spain
Phone 34.934.750.697 (International Sales)
Phone 934.190.709 (Sales in Spain)
Fax 34.934.750.699
E-mail info@panlab.com
Web www.panlab.com

Sweden

CMA Microdialysis, AB

Box 7048
SE-164 07 Kista, Sweden
Phone +46 9 470 10 00
Fax +46 8 470 10 50
E-mail cma@microdialysis.com
Web www.microdialysis.com

U.K.

Harvard Apparatus, Ltd.

Fircroft Way, Edenbridge
Kent TN8 6HE, United Kingdom
Phone (44) 1732-864-001
Fax (44) 1732-863-356
E-mail sales@harvardapparatus.co.uk
Web www.harvardapparatus.co.uk